

COMPRESSOR SOLENOID VALVES



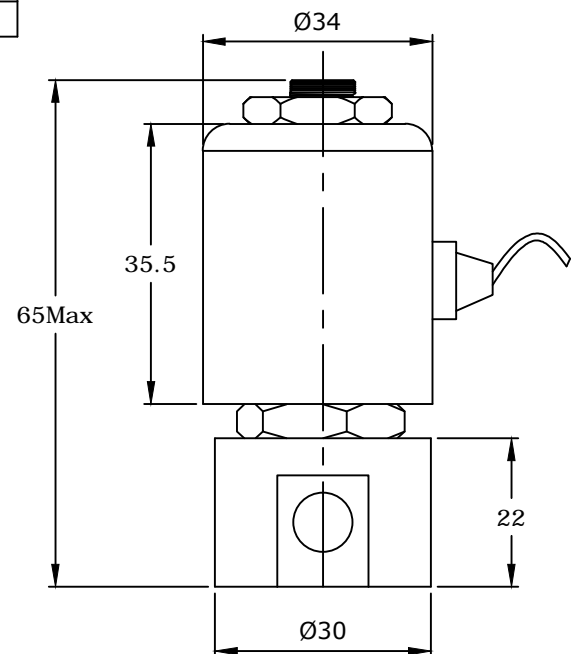
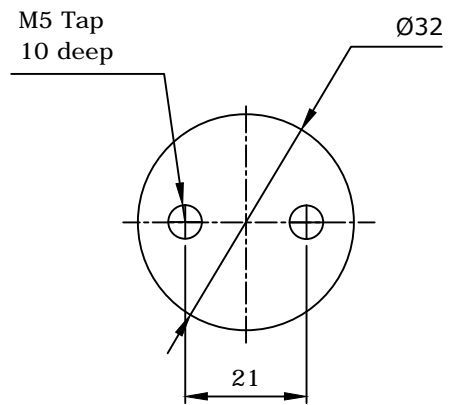
2/2 Direct acting normally open valve

Features :

- Wide range of coil voltages.
- Continuous duty cycle.
- Low temperature of operation.
- Noiseless performance.
- Coil can be rotated by 360°.

Technical Specifications :

Model	KC-2/2-NO-RB				
Medium	Filtered compressed air				
Port Size	Inlet, Outlet - G1/4 (F)				
Ambient / Medium temperature	5° - 60° C				
Orifice (NW)	1.3				
Operating pressure (bar)	0 - 10				
Flow rate (Ltr / Min)	70				
Electrical					
Voltage (V) ± 10%	AC			DC	
	24	110	230	12	24
Power Consumption (Watts)	6			8	
Duty Cycle	Continuous				
Type of coil protection	IP65				
Class of insulation	Class - F				
Materials of construction	Aluminium, Brass, Stainless Steel				



Manufactured by :

Kushako India

Office : 490, Narayan Peth, Opp. Pune Marathi Granthalaya, Pune - 411030. (Maharashtra), Website : www.kushakoindia.com

Works : Sr.No. 25/1A, Village Nanded, Sinhgad Road, Tal - Haveli, Dist. Pune -411041

Tel. No : 901169077 / 7620674777

E-mail : kushako.india@gmail.com / kushakoindia1992@gmail.com